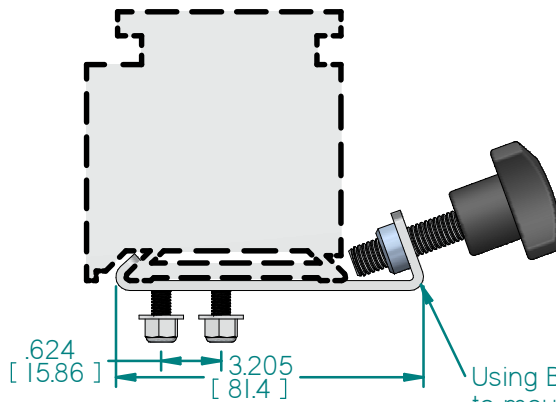
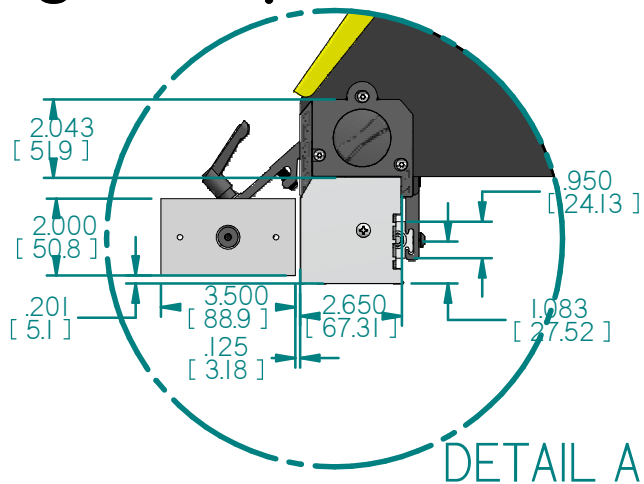
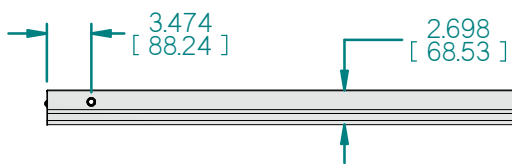


TigerStop LLC

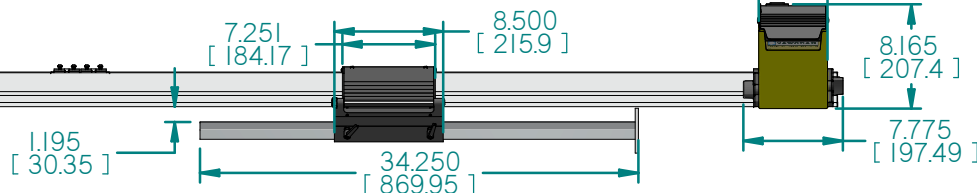


Using Bracket BR-BM to mount SG08 beam on existing tables

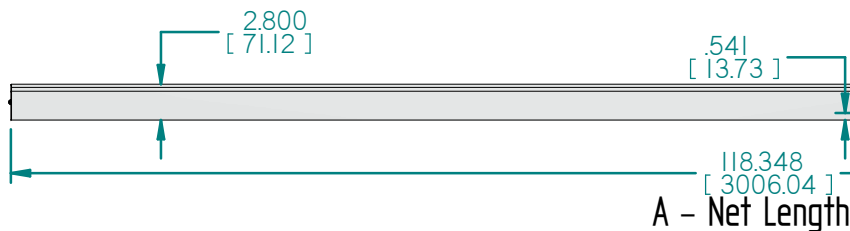
*Note:
 -All dimensions shown on drawing are applied for SG08 LEFT handed model.
 -Two BR-BM brackets are included in any SG model.



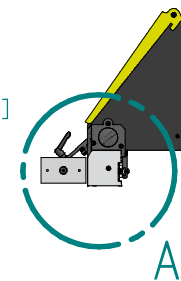
TOP VIEW



RIGHT SIDE VIEW



FRONT VIEW 1:15

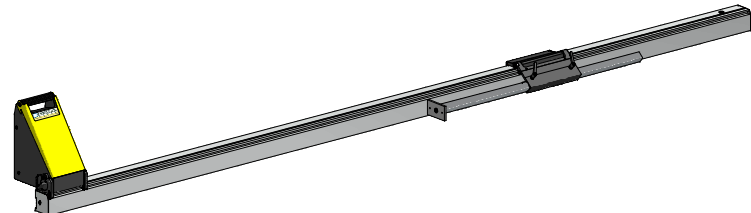
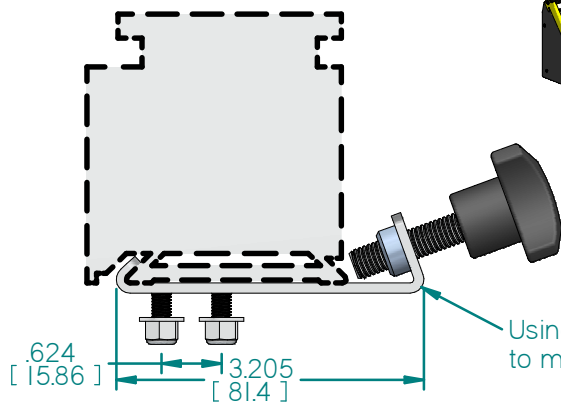
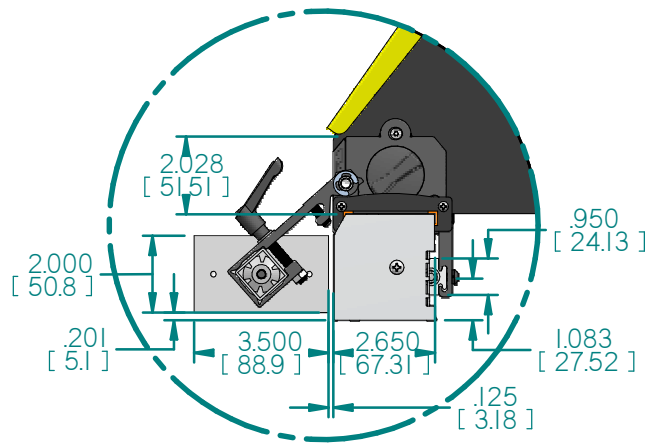


-This is a non controlled copy. All information given herein are subject to change without notice.
 -The information given herein are carefully checked and is believed to be correct. TigerStop LLC. however, assumes no responsibility or liability for any errors, inaccuracies or omissions that may appear in this drawing.
 -This document is subject to copyright laws. No part of this document may be reproduced or transmitted in any form or any means, electronic or mechanic, for any purpose, without the express written permission of TigerStop.

Available Size		
Model	Working Range	A - Net Length
SG08	96	118.348
SG12	144	166.348

Rev	SBD	-
Rev	SBD	-
Rev	SBD	-
Rev	SBD	-
Rev	SBD	-
Title		SawGear-Public SG08 Left Handed
Item		Default
Copyright 1994-2011 Date		8/30/2011
Sht.		1 of 1
By:		dtran
TOLERANCE	0.0 = -/+ 0.03	Sheet Metal Bends = -/+0.015
	0.00 = -/+ 0.015	
	0.000 = -/+ 0.005	Dim in () are mm
THIRD ANGLE PROJECTION		

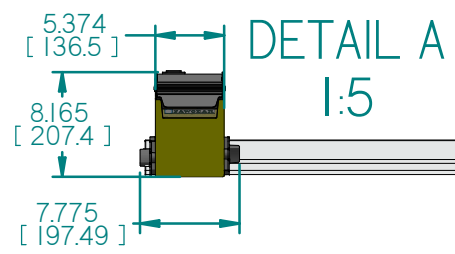
TigerStop LLC



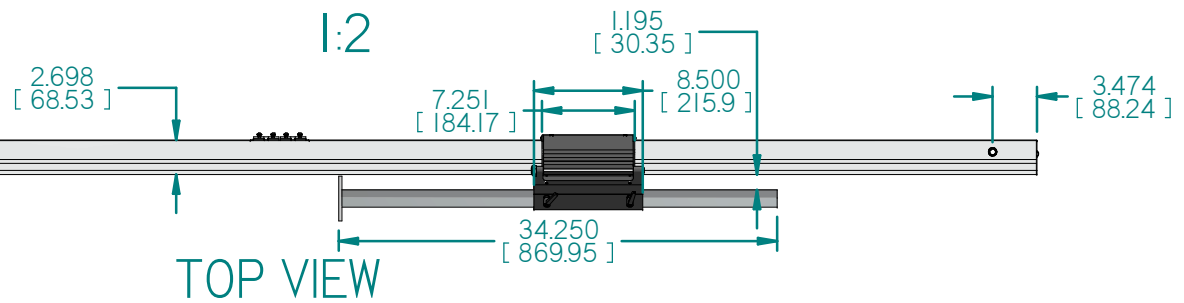
*Note:
 -All dimensions shown on drawing are applied for SG08 RIGHT handed model.
 -Two BR-BM brackets are included in any SG model.

Using Bracket BR-BM to mount SG08 beam on existing tables

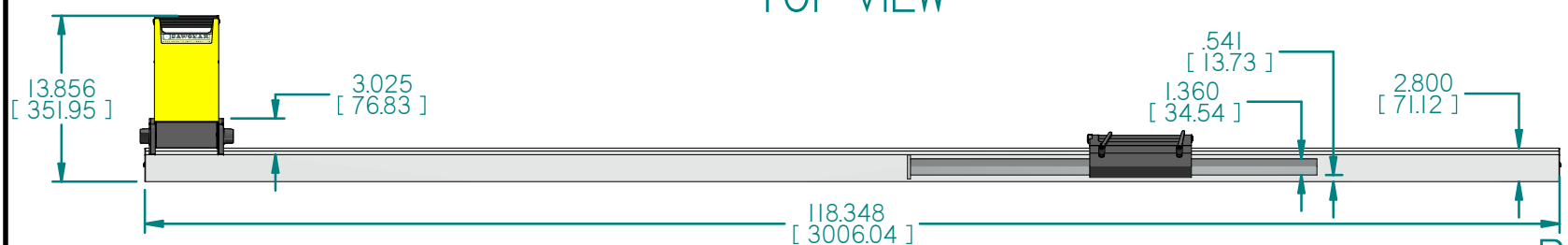
BR-BM Bracket
1:2



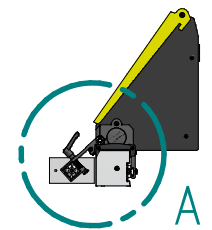
DETAIL A
1:5



TOP VIEW



A - Net Length
FRONT VIEW
1:15



RIGHT SIDE VIEW

-This is a non controlled copy. All information given herein are subject to change without notice.
 -The information given herein are carefully checked and is believed to be correct. TigerStop LLC. however, assumes no responsibility or liability for any errors, inaccuracies or omissions that may appear in this drawing.
 -This document is subject to copyright laws. No part of this document may be reproduced or transmitted in any form or any means, electronic or mechanic, for any purpose, without the express written permission of TigerStop.

Available Size		
Model	Working Range	A - Net Length
SG08	96	118.348
SG12	144	166.348

Rev		SBD	-
Rev		SBD	-
Rev		SBD	-
Rev		SBD	-
Rev		SBD	-

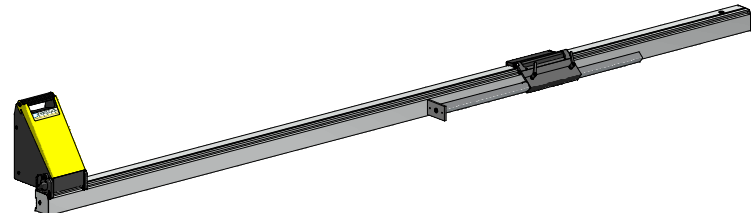
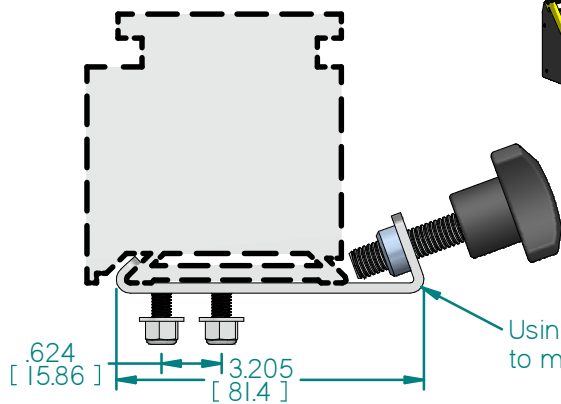
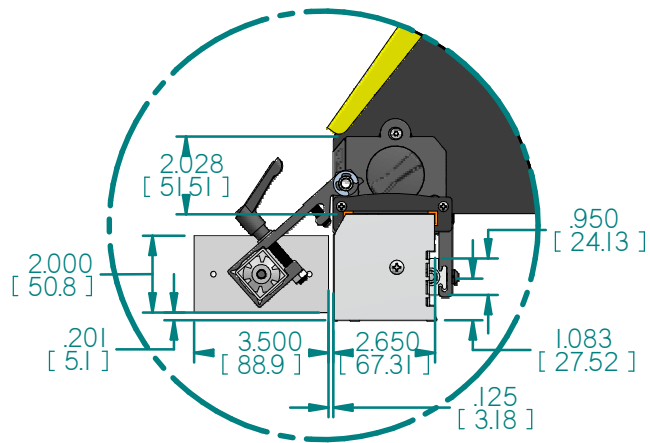
Title *SawGear-Public SG08 Right Handed* Item: *Default*
 Copyright 1994-2011 Date *8/30/2011* Sht. *1* of *1* By: *dtran*

TOLERANCE
 0.0 = -/+ 0.03
 0.00 = -/+ 0.015
 0.000 = -/+ 0.005

Sheet Metal Bends = -/+0.015
 Dim in () are mm

THIRD ANGLE PROJECTION

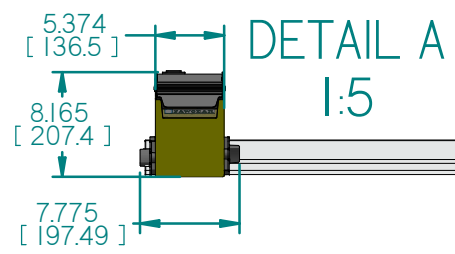
TigerStop LLC



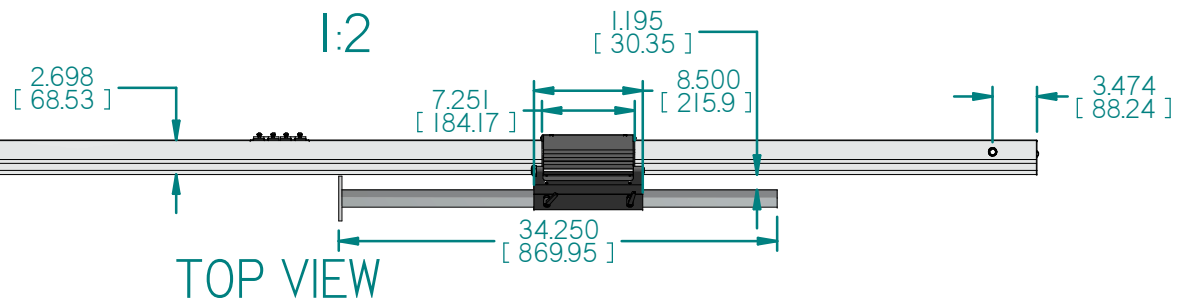
*Note:
 -All dimensions shown on drawing are applied for SG08 RIGHT handed model.
 -Two BR-BM brackets are included in any SG model.

Using Bracket BR-BM to mount SG08 beam on existing tables

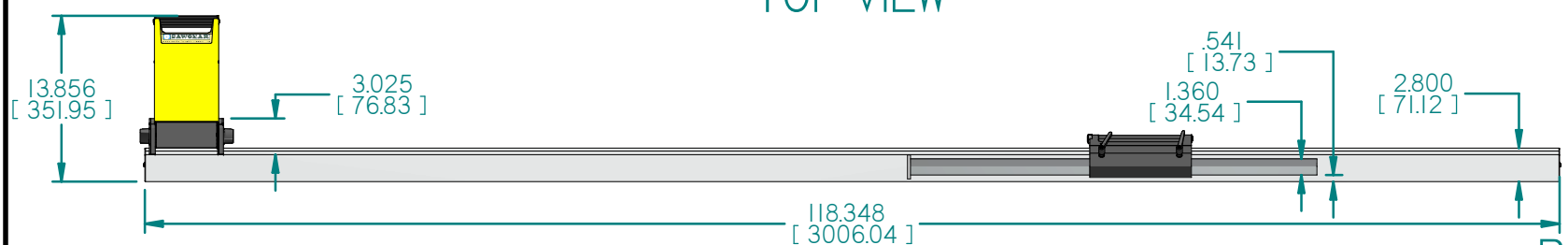
BR-BM Bracket
1:2



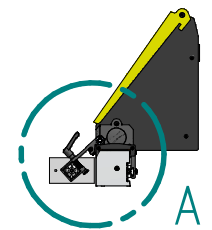
DETAIL A
1:5



TOP VIEW



A - Net Length
FRONT VIEW
1:15



RIGHT SIDE VIEW

-This is a non controlled copy. All information given herein are subject to change without notice.
 -The information given herein are carefully checked and is believed to be correct. TigerStop LLC. however, assumes no responsibility or liability for any errors, inaccuracies or omissions that may appear in this drawing.
 -This document is subject to copyright laws. No part of this document may be reproduced or transmitted in any form or any means, electronic or mechanic, for any purpose, without the express written permission of TigerStop.

Available Size		
Model	Working Range	A - Net Length
SG08	96	118.348
SG12	144	166.348

Rev		SBD	-
Rev		SBD	-
Rev		SBD	-
Rev		SBD	-
Rev		SBD	-

Title *SawGear-Public SG08 Right Handed* Item: *Default*
 Copyright 1994-2011 Date *8/30/2011* Sht. *1* of *1* By: *dtran*

TOLERANCE
 0.0 = -/+ 0.03
 0.00 = -/+ 0.015
 0.000 = -/+ 0.005

Sheet Metal Bends = -/+0.015
 Dim in () are mm

THIRD ANGLE PROJECTION